

# **WinWin Update**

**June Sup Lee**

**Center for Software Engineering**

**USC**

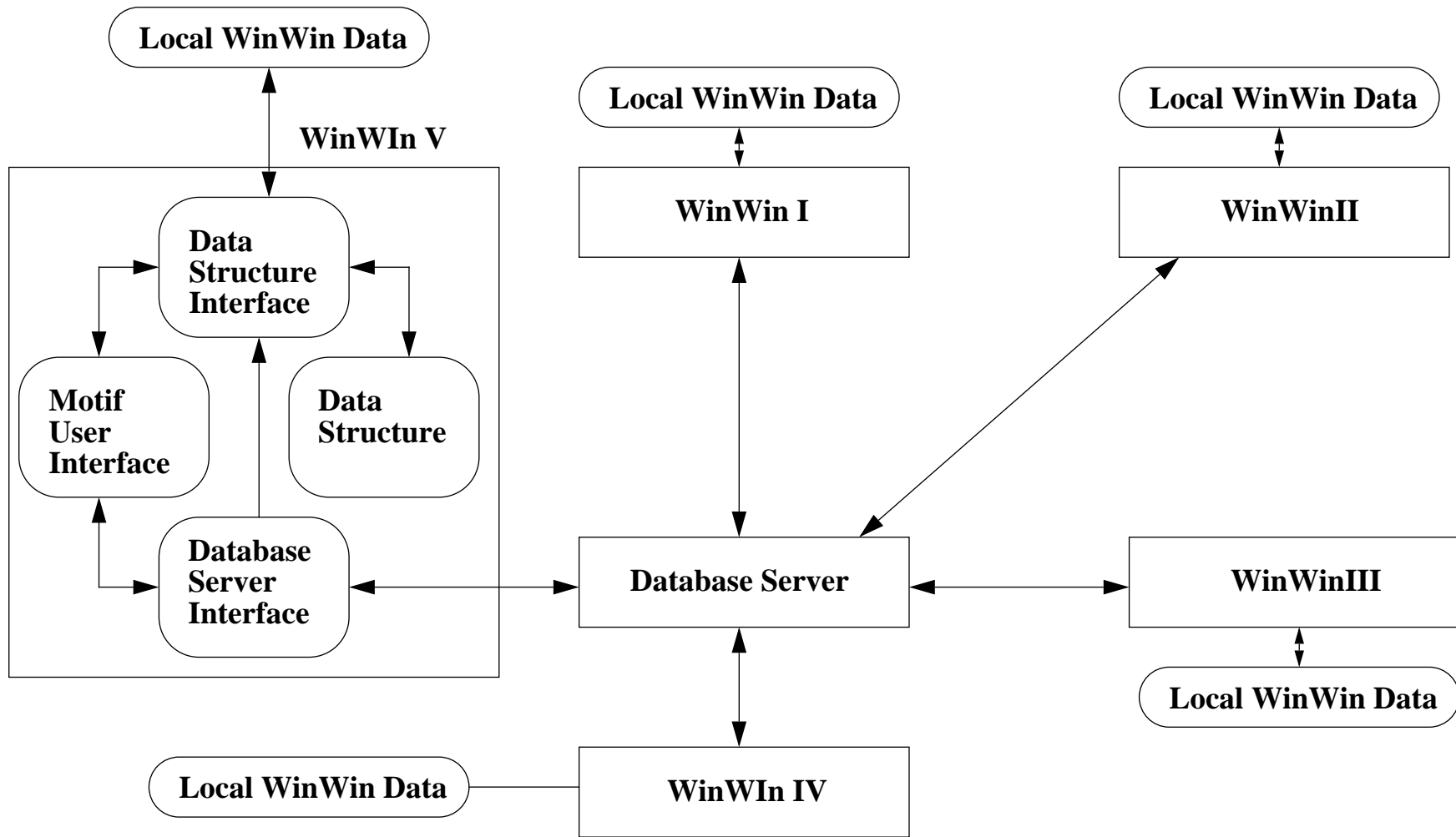
# Table of Contents

- About WinWin
- WinWin API
- Java WinWin
- FTP Sites
- Java WinWin Demonstration

# About WinWin

- A computer program that aids in the capture, negotiation, and coordination of requirements for a large system
- WinWin is a Motif/X-Window program running on UNIX operating systems
- WinWin Versions
  - WinWin 0.8 released in Feb., 1994
  - WinWin 1.0 released in Aug., 1995
  - WinWin 1.1 released in Jul., 1996
  - WinWin 1.2 released in May, 1997

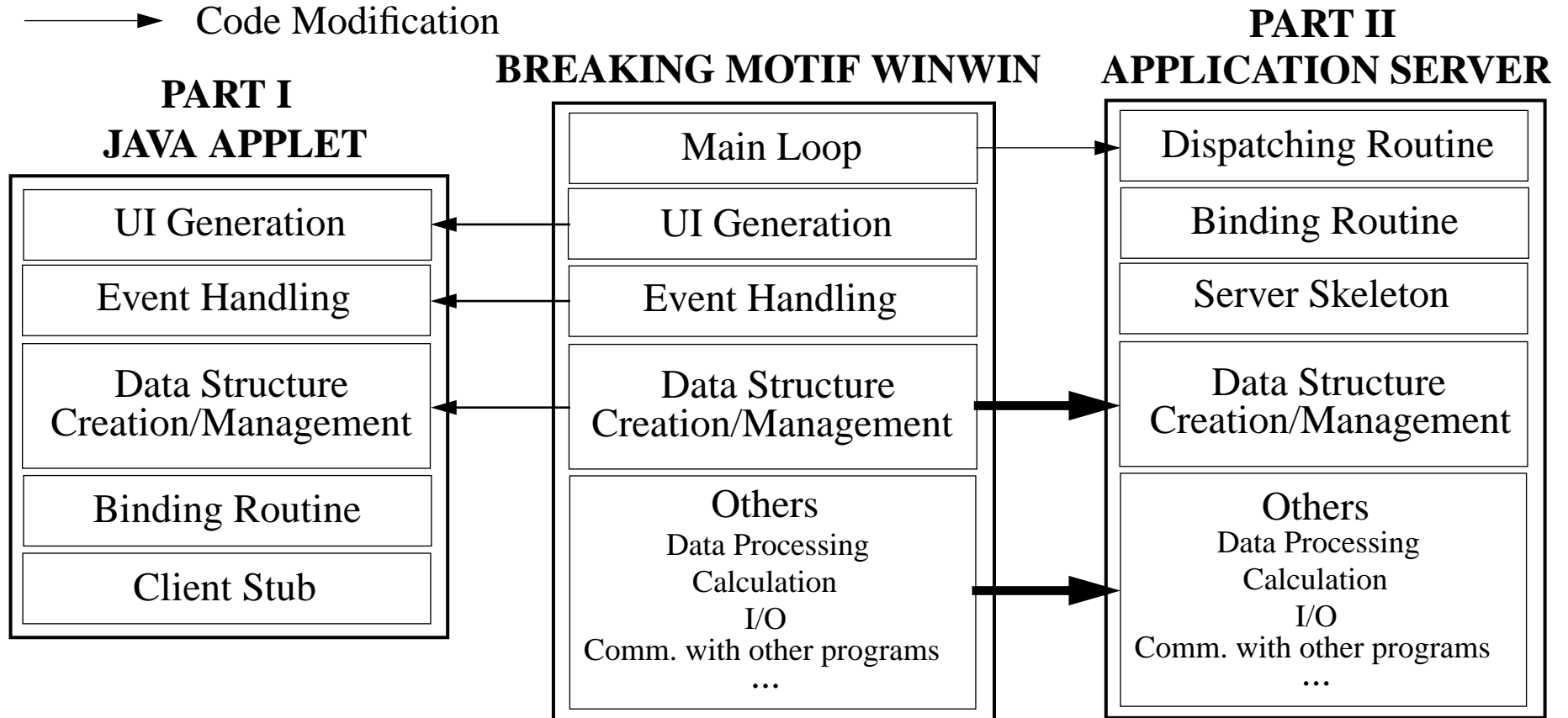
# LAN Architecture of WinWin



# Creating Java WinWin

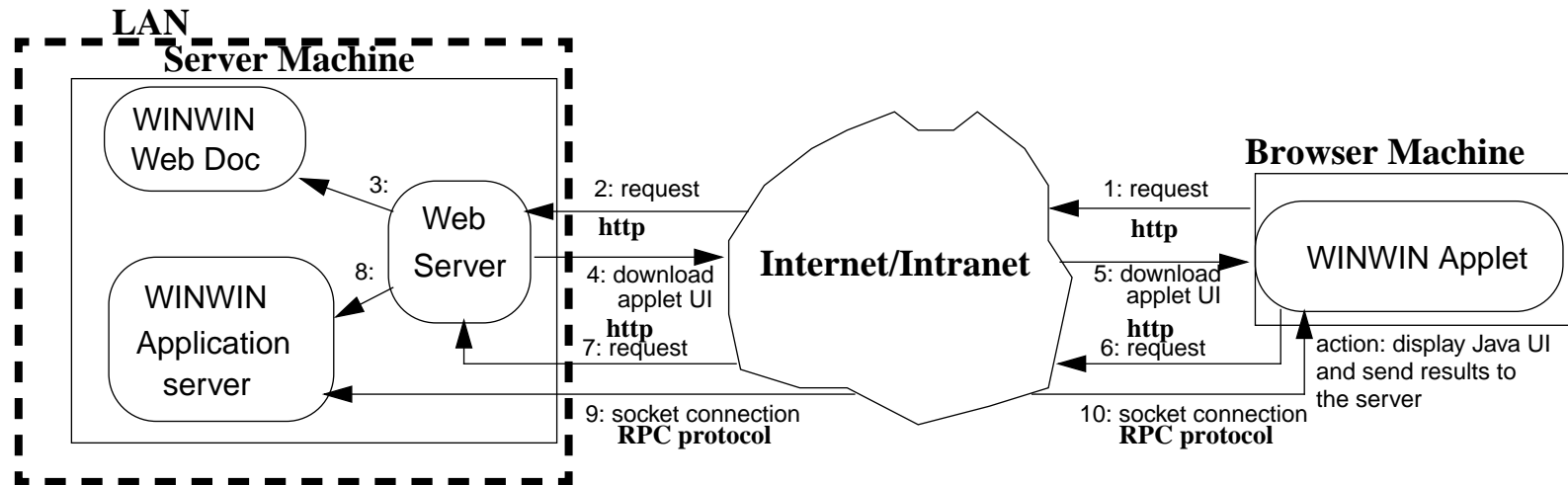
- Motif WinWin is confined to LAN and shared file system
- General Strategy
  - Reuse existing code wherever possible
  - Strip out Motif code and replace by Java AWT
  - Use sockets to communicate between the application server and the Java applet
  - Develop protocol
  - Provide the same “look and feel” as the Motif WinWin

# Splitting Motif WinWin into 2 Components - Application Server and Java Applet



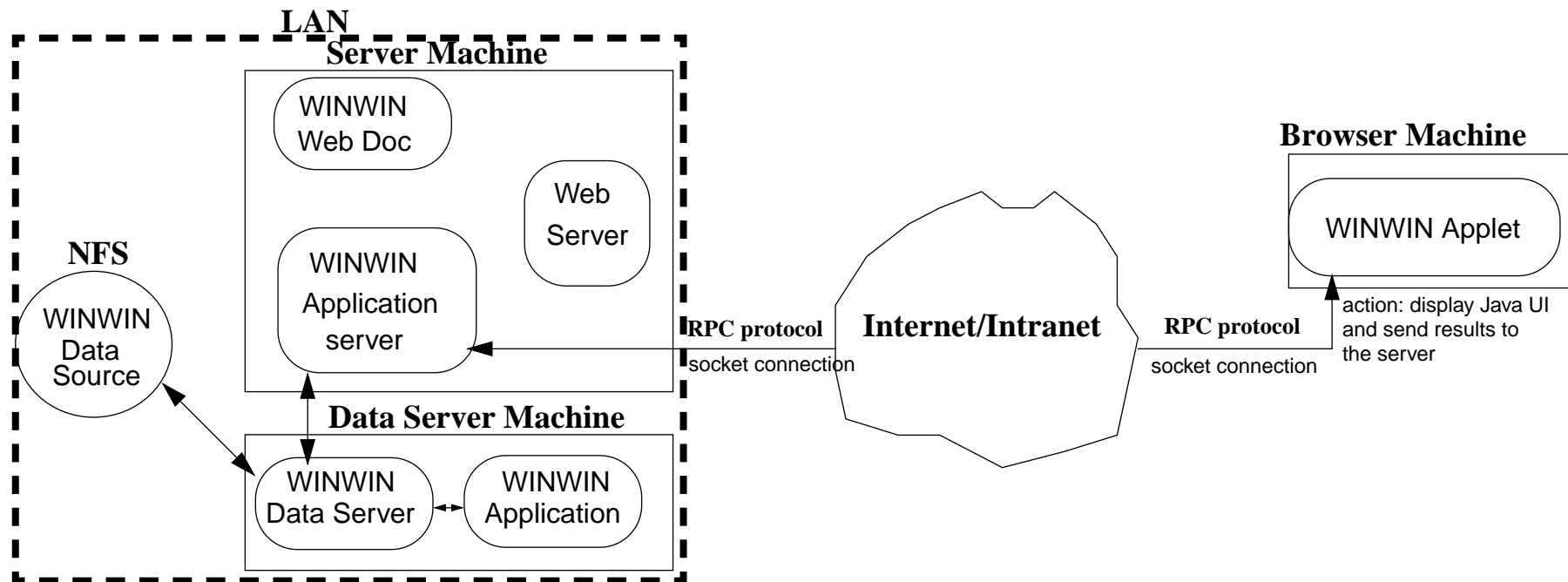
- Binding Routines setup a socket connection between the Remote UI and the application server
- the Dispatching Routine dispatches the incoming request from the Remote UI to the appropriate procedure

# Java WinWin Architecture - Connection Initialization



- Step 1: User sends a request to a web server by clicking on an anchor in a Web page (1, 2)
- Step 2: The Web server finds a web document which is a Java applet (3)
- Step 3: The Web server sends the Java applet to the client (4, 5)
- Step 4: The applet sends a request to the Web server asking for a TCP/IP connection with an application server on the Web server machine (6, 7)
- Step 5: The Web server initiates the CGI program that invokes an application server (8)
- Step 6: A connection is made between the application server and the Java applet (9, 10)

# Java WinWin Architecture - After the Connection Initialization



- Direct connection between the WinWin application server and the WinWin applet
- WinWin applets can work cooperatively with other WinWin applets and Motif WinWin applications

# Differences between Motif WinWin and Java WinWin

	<b>Motif WinWin</b>	<b>Java WinWin</b>
File Location	<i>in the local directory that the user has designated</i>	<i>in the predetermined directory on the application server machine</i>
Login Procedure	<i>No explicit login procedures</i>	<i>Explicit login procedure</i>
Tools Menu	<i>No constraints</i>	<i>Only the Java Cocomo is available</i>
Attachment	<i>No constraints</i>	<i>Can not run tools directly from the Java WinWin</i>
Export	<i>Available</i>	<i>Not available</i>
Print	<i>Prints to MIF, TEXT, and HTML format</i>	<i>Only prints to HTML format</i>